

## MECHANICAL SPECIFICATIONS

### DIMENSIONS

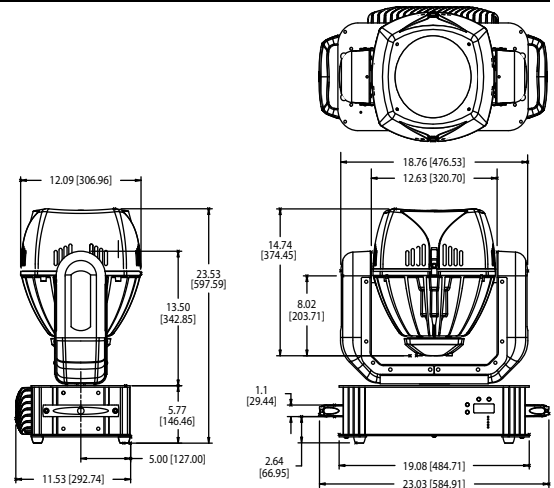
FIXTURE	BOXED FOR SHIPPING
in: 12.0 x 19.6 x 23.8	in: 20 x 26 x 32
mm: 295 x 497 x 604	mm: 506 x 657 x 809
Weight: 25.9 kg (57 lb)	Weight: 39 kg (85 lb)

### Mounting Information:

Studio Color 575 may be mounted by attaching suitable clamps with locking washers through the center holes on the base of the fixture. Cheeseborough truss clamps and 1/2" nut/bolt sets may be purchased separately. Studio Color 575 can also be stood on its rubber feet on a sturdy, stable surface.

Colors Available: Black

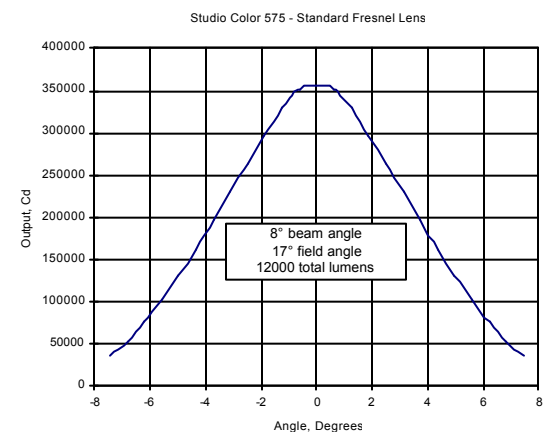
Turning Radius: 18.75 in (476.3 mm)



## ELECTRICAL SPECIFICATIONS / LIGHT SOURCE

<b>Lamp</b>	MSR 575/2 or optional MSD 575 for longer lamp life	
<b>Power Consumption</b>	100V, 50/60HZ @ 7.0A 230V, 50/60HZ @ 3.0A	
<b>Rated Power</b>	700W max	
<b>Power Factor</b>	0.96 @ 230V/50HZ 0.99 @ 100V/60HZ	
	<b>MSR 575/2</b>	<b>MSD 575</b>
<b>Light output</b>	12,000 ANSI lumens	10,000 ANSI lumens
<b>Lamp life</b>	500 - 750 hours	3000 hours
<b>Color temperature</b>	6200K	5600K

	Center Beam Candela	Beam Angle Degrees	Field Angle Degrees
	360,000	8	17
Throw	Center Beam	Beam Diameter	Field Diameter
5	14,400	0.7	1.5
10	3,600	1.4	3.0
15	1,600	2.1	4.5
20	900	2.8	6.0
25	576	3.5	7.5
30	400	4.2	9.0
35	294	4.9	10.5
40	225	5.6	12.0
45	178	6.3	13.5
50	144	7.0	14.9
55	119	7.7	16.4
60	100	8.4	17.9
65	85	9.1	19.4
70	73	9.8	20.9
75	64	10.5	22.4
80	56	11.2	23.9
85	50	11.9	25.4
90	44	12.6	26.9
95	40	13.3	28.4
100	36	14.0	29.9



For Metric figures, read "Center Beam" values as in lux, and the throw and diameters will be in meters.  
For US figures, read "Center Beam" values as in footcandles, and the throw and diameters will be in feet.

$$\text{Illuminance} = \frac{\text{Candela}}{\text{Distance}^2}$$

## OPERATION

**Pan:** 370° **Tilt:** 240°  
**Field Angle:** 17°

**Control Options:** DMX-512, On Board Programming/Playback, Time Code Sync, Internal Effects, Fixture Talkback  
**Address Methods:** LED Display, Fixture Talkback

**Software Upgrades** Operating software may be downloaded from the High End Systems web site ([www.highend.com](http://www.highend.com)), and uploaded using a High End Systems dongle

**Compliances** Studio Color 575 is CE, CETL, and ETL compliant.

**DMX connectors** 3-pin male and female XLR connectors

**Environmental Tolerances** Maximum ambient temperature, Ta: 40°C (104°F) Maximum exterior surface temperature: 140°C (284°F)  
Maximum winding temperature, Tw: 130°C (266°F) Maximum capacitor temperature, Tc: 85°C (185°F)

## PART NUMBERS

**Fixtures**  
26010011 - Studio Color 575 MSR Automated Wash Fixture, w/lamp  
26010012 - Studio Color 575 MSD Automated Wash Fixture, w/lamp

**Accessories**  
55040015 - Studio Color Snoot  
99090029 - Studio Color PAR 64 Lens Set

**Lamps**  
55030050 - Studio Color 575 Replacement Lamp, Philips MSD 575  
55030052 - Studio Color Replacement Lamp, Philips MSR 575-2

**Controllers**  
26020001 - Studio Color LCD Controller, 115/230V

**Flight Cases**  
26070000 - Road Case, Studio Color, Single Fixture  
26070003 - Road Case, Studio Color, Dual Fixtures

## DMX CHANNELS

Channel	Function
1	Pan Coarse
2	Pan Fine
3	Tilt Coarse
4	Tilt Fine
5	Color Functions
6	Color Wheel
7	Cyan Mix
8	Magenta Mix
9	Yellow Mix
10	Lens Wheel (Effects Wheel 1)
11	Frost Wheel (Effects Wheel 2)
12	Shutter
13	Dim
14	Motor Speed
15	Control
16	Checksum

DMX Channels: 16      Fixtures per Universe: 36  
 Internal Preset Scene Memory: 1 bank, 16 scenes

## COLOR WHEEL

Position	Description	Replaceable
1	Open	No
2	CTO*	Yes
3	Pink	Yes
4	Magenta	Yes
5	Red	Yes
6	Aqua	Yes

Studio Color 575 features CMY subtractive color mixing.



\*Corrects to 3100°K for MSR 575/2 lamp and to 2800°K for MSD 575 lamp

**Dichroic Glass**      Diameter: 1.745 in ± 0.010 in (44.323 mm ± 0.25 mm)  
 Thickness: 0.070 in ± 0.010 in (1.778 mm ± 0.25 mm)

## EFFECTS WHEEL

Effects Wheel 1: Beam Shaping

Effects Wheel 2: Beam Shaping

Position	Description
1	Open
2	Variable Wide Angle Lens
3	Narrow Horizontal Shaping Center Axis
4	Wide Vertical Shaping Center Axis

Position	Description
1	Open
2	Variable Frost Lens
3	Narrow Vertical Shaping Center Axis
4	Wide Horizontal Shaping Center Axis